

SINGLE GASKET

DUAL GASKET

SEISMIC

METAL

EPDM

KP Series

33-120 mm joints | surface mounted | EPDM elastomer



50-100 mm
JOINT WIDTH



Surface
MOUNTED



Surface
MOUNTED-FLUSH



horizontal
MOVEMENTS



interior
APPLICATIONS



exterior
APPLICATIONS



1000 kg
POINT LOAD



quick&easy
INSTALLATION

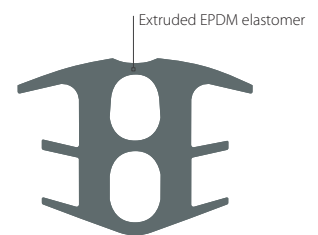


A DURABLE SOLUTION

A durable, long-term joint solution that nonetheless installs in less than a minute. These high quality EPDM elastomer profiles are extruded in one piece to withstand heavy rolling traffic and exterior applications.

Application areas

Refurbishment of mastic expansion joints, parking, warehouses, storage facilities.



FLOOR FINISH

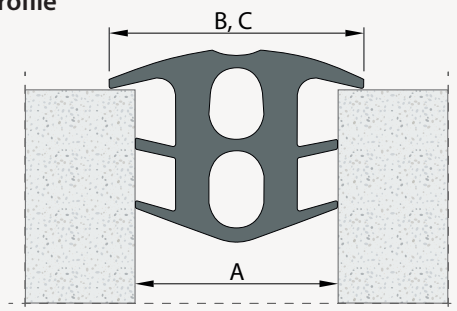
★ Concrete

☆ Stone

Terrazzo

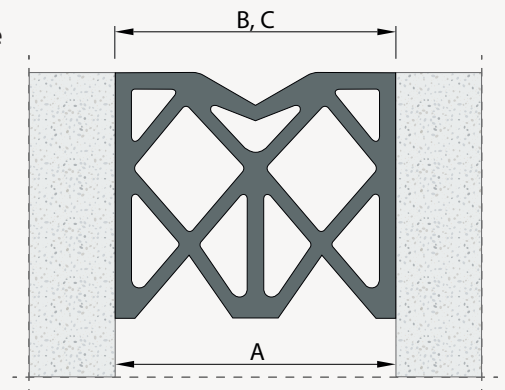
Tiles

KP 50 profile



MATCHING WALL JOINT [page 56](#)

KP 100 profile



76

Model	Joint width (mm)	Overall profile width (mm)	Exposed surface (mm)	Min. Joint depth (mm)	Allowed movements (mm)	Load
	A	B	C	D		
KP profile surface mounted						
KP 20	20,0	38,0	38,0	38,0	-5,0 / +10,0	
KP 30	30,0	54,0	54,0	42,0	-8,0 / +7,0	
KP 40	40,0	69,0	69,0	52,0	-12,0 / +12,0	
KP 50	50,0	80,0	80,0	62,0	-5,0 / +9,0	
KP 60	60,0	95,0	95,0	72,0	-5,0 / +7,0	
KP profile recess mounted - flush						
KP 100	100,0	103,0 ± 3,0	100,0	90,0 ± 1,6	- 20,0	
KP 120	120,0	120,0 ± 3,0	120,0	90,0 ± 1,6	- 20,0	

KP 20 - KP 60

DIMENSIONS
25 m rolls

MATERIAL
EPDM Elastomer



COLOURS

Black
STANDARD

Grey
STANDARD

KP 100 - KP 120

DIMENSIONS
3 m profiles

MATERIAL
EPDM Elastomer



COLOURS

Black
STANDARD

Grey
STANDARD

ACCESSORIES

FIRE BARRIERS

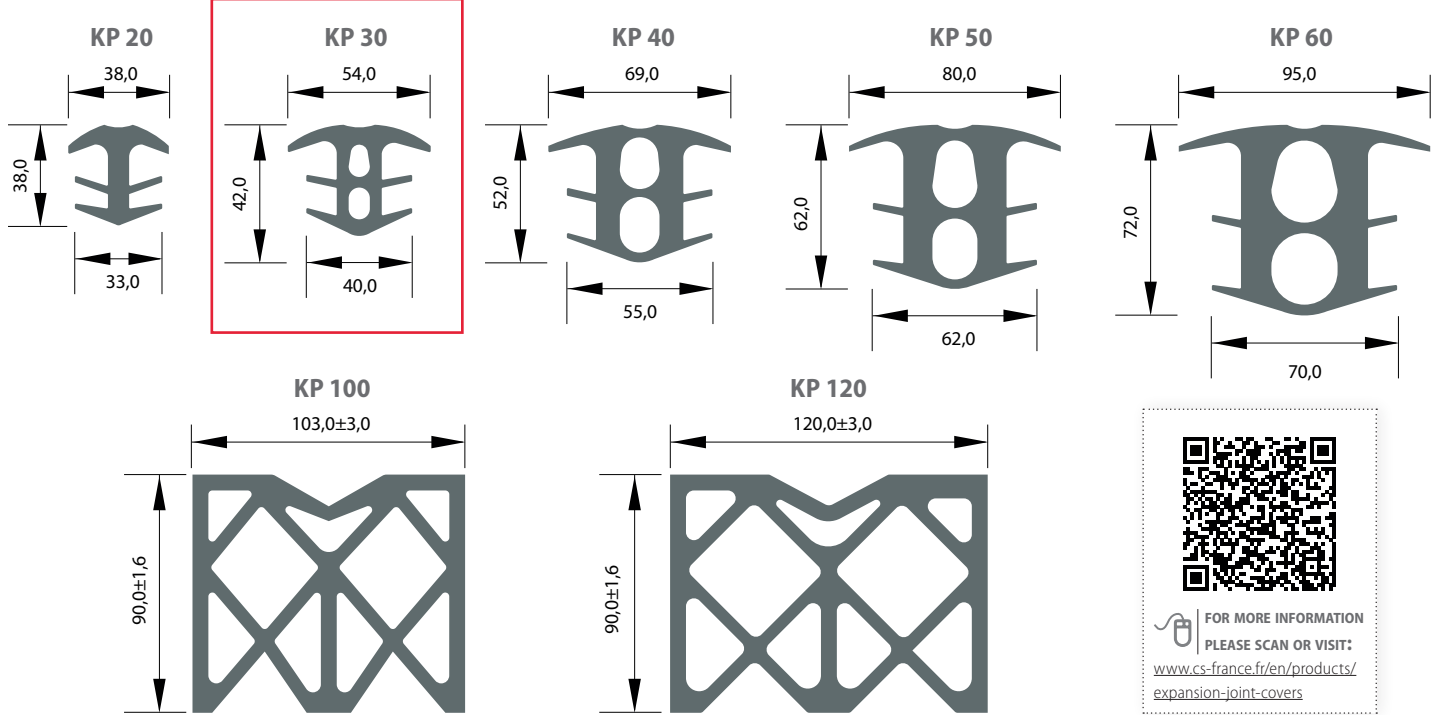
[page 85](#)

MOISTURE BARRIERS

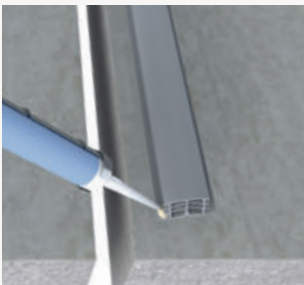
[page 86](#)

ACOUSTIC BARRIERS

[page 86](#)



Installation of surface mounted profile KP 20 to KP 60



The KP profile is fixed with a neoprene mastic bead applied to the side wings.



The profile is then pressed into the joint with the help of wood facing.

Installation of flush mounted profile KP100 and KP 120



On side of the KP profile is coated with a bead of neoprene mastic.



The KP is inserted at an angle on one side of the joint and then compressed.



CAPE TOWN
Tel: +27 (0)87 231 0253
Unit 5, M5 Freeway Park
Upper Calico Rd (Maboneng) 7405
Cape Town | South Africa
Email: info@msasa.co.za | www.msasa.co.za

JOHANNESBURG
Tel: +27 (0)82 785 8528
54 Maple Street (Tomona
Kempson Park) Johannesburg | 1519
South Africa