

108 BLACK

232 WHITE

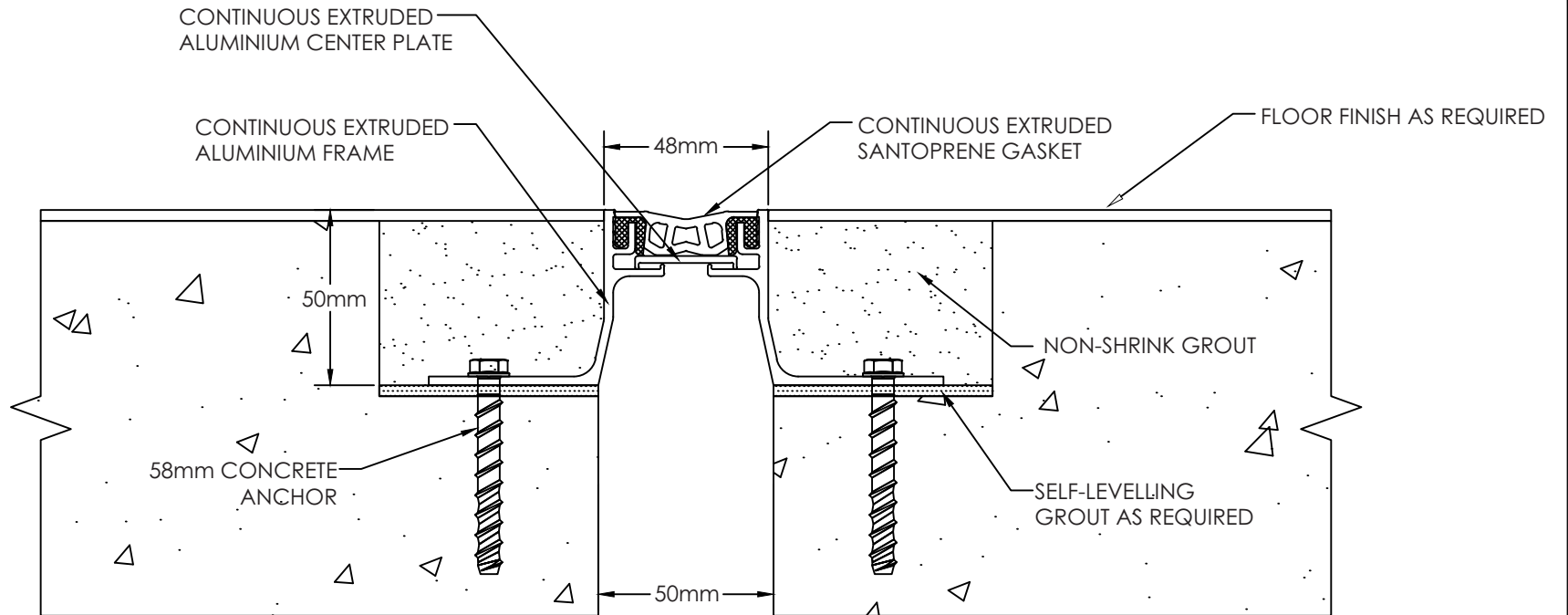
AVAILABLE COLORS:

270 GREIGE

136 GRAY

764 PLATINUM

\*\*\* CUSTOM COLORS ARE AVAILABLE AT AN ADDITIONAL CHARGE, SUBJECT TO MINIMUM QUANTITIES. \*\*\*



# Model: GFT-200X2



**Construction Specialties®**

[www.c-sgroup.com](http://www.c-sgroup.com)

6696 Route 405 Highway, Muncy, PA 17756  
Phone: (800) 233-8493 V Fax: (570) 546-802

895 Lakefront Promenade, Mississauga, Ontario L5E 2C2 Canada  
Phone: (888) 895-8955 V Fax: (905) 274-624



[www.msasa.co.za](http://www.msasa.co.za)

**MSASA**  
Construction Solutions for Africa

PROJECT:	SCALE: NTS
CUSTOMER:	DATE:
LOCATION:	JOB NO.:
DRAWN BY:	SHEET NO.: