



Expansion Joint Covers

WATERPROOF TRAFFICABLE EXPANSION JOINT COVERS

for Car Park Decks, Ramps, Plaza Decks and Stadiums

For comprehensive information on this product visit www.msasa.co.za/cs-expansion-joints

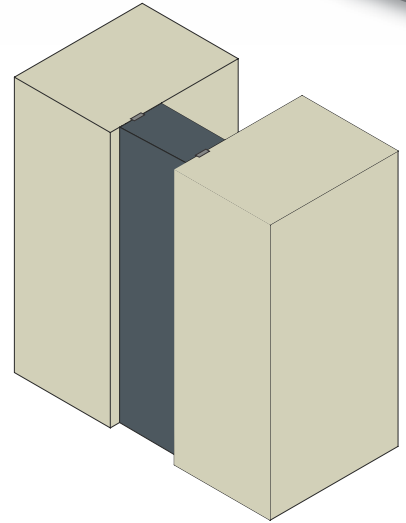
HS SERIES

Preformed Flexible Expansion Joint.

Joint widths from 25mm to 305mm

Product Description:

HS is a closed cell ethylene vinyl acetate preformed highly resilient, UV stable, flexible expansion joint. It provides a watertight, dustproof, airtight, UV stable, chemically resistant urethane primary seal. The unique manufacture of HS produces a pure toxicologically harmless, non-reactive, chemically inert material. The result is superior chemical resistance, making it an ideal expansion joint material for industrial applications. It is safe for use with potable water, and other environmentally sensitive applications. Grooves in the sides of the material enhance its bond strength to the surface.



Use this cover for:

- ✓ Below grade applications.
- ✓ Joints up to 12" (305mm) wide.
- ✓ Joints requiring a watertight seal.
- ✓ Stadium applications.
- ✓ Ideal for traffic as well as commercial and industrial structures.
- ✓ Suitable for joints in bridges and parking decks in warm climates without undergoing thermal shrinkage.
- ✓ For use in: bridges, pavements, parking decks, sports stadiums, airport runways, commercial structures.
- ✓ HS provides a waterproof joint seal.

Performance:

HS is abrasion, weather, chemical and UV resistant. An ideal seal in traffic as well as commercial and industrial structures. HS has a higher working temperature than EVA foams. This makes it ideal for joints in bridges and parking decks in warmer climates without undergoing thermal shrinkage and other deleterious effects. HS provides a waterproof joint seal. HS has a working range of 50% compression and 25% tension in addition to 100% vertical and horizontal shear.

Technical Data:

Density (kg / m³)

ASTM D-3575-91, Suffix: W Method-A - 33.6

Tensile Strength (kPa)

ASTM D-3575-91, Suffix T - 703.3

Water Absorption (%)

ASTM D-3575 - 0.03

(% vol / vol) (Immersion for 3 months) - 3

Water Absorption (kg / m³)

ASTM D-3575, Suffix L - <0.01

Compression Set ASTM D-1056

-22 Hr @ 50% (Suffix B)

Properties:

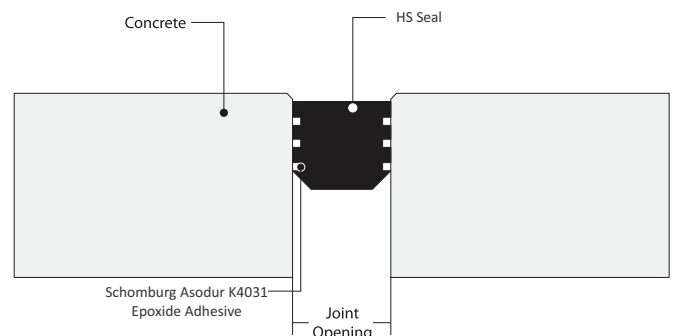
Chemical Resistance - Excellent

Fire Rating - Does not support flame: self extinguishing

Toxicity - Neither ingredients nor pigments in HS are toxic

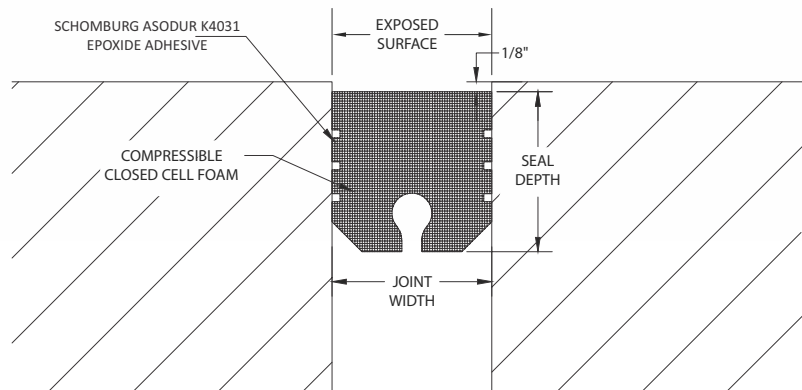
Ultraviolet Resistance - Excellent, UV inhibitor added

Typical HS Series Details

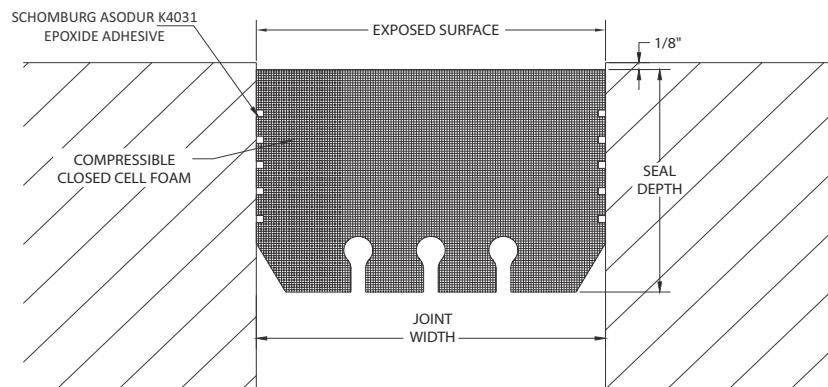


MODEL	JOINT WIDTH	MINIMUM OPENING	MAXIMUM OPENING
HS-100	1.00" (25mm)	0.75" (19mm)	1.25" (32mm)
HS-150	1.50" (38mm)	1.13" (29mm)	1.88" (48mm)
HS-200	2.00" (51mm)	1.50" (38mm)	2.50" (64mm)
HS-250	2.50" (64mm)	1.88" (48mm)	3.13" (80mm)
HS-300	3.00" (76mm)	2.25" (57mm)	3.75" (95mm)
HS-350	3.50" (89mm)	2.63" (67mm)	4.38" (111mm)
HS-400	4.00" (102mm)	3.00" (76mm)	5.00" (127mm)
HS-500	5.00" (127mm)	3.75" (95mm)	6.25" (159mm)

MODEL	JOINT WIDTH	MINIMUM OPENING	MAXIMUM OPENING
HS-600	6.00" (152mm)	4.50" (114mm)	7.50" (191mm)
HS-700	7.00" (178mm)	5.25" (133mm)	8.75" (222mm)
HS-800	8.00" (203mm)	6.00" (152mm)	10.00" (254mm)
HS-900	9.00" (229mm)	6.75" (171mm)	11.25" (286mm)
HS-1000	10.00" (254mm)	7.50" (191mm)	12.50" (318mm)
HS-1100	11.00" (279mm)	8.25" (210mm)	13.75" (349mm)
HS-1200	12.00" (305mm)	9.00" (229mm)	15.00" (381mm)



HS-200 to 400



HS-500 to 1200



CAPE TOWN
 Tel: +27 (0)87 231 0253
 Unit 5 | M5 Freeway Park
 Upper Camp Rd | Maitland | 7405
 Cape Town | South Africa
 Email: info@msasa.co.za | www.msasa.co.za

JOHANNESBURG
 Tel: +27 (0)82 785 8529
 64 Maple Street | Pomona
 Kempton Park | Johannesburg | 1619
 South Africa



For technical and design assistance call +27 (0)87 231 0253
 For Details, Specifications, Installation Instructions & Videos visit
www.msasa.co.za/cs-expansion-joints