



Expansion Joint Covers

WATERPROOF TRAFFICABLE EXPANSION JOINT COVERS
for Split-Slab Design Plaza Decks

For comprehensive information on this product visit www.msasa.co.za/cs-expansion-joints

PDS & PDSW SERIES

Joint widths from 25mm to 102mm

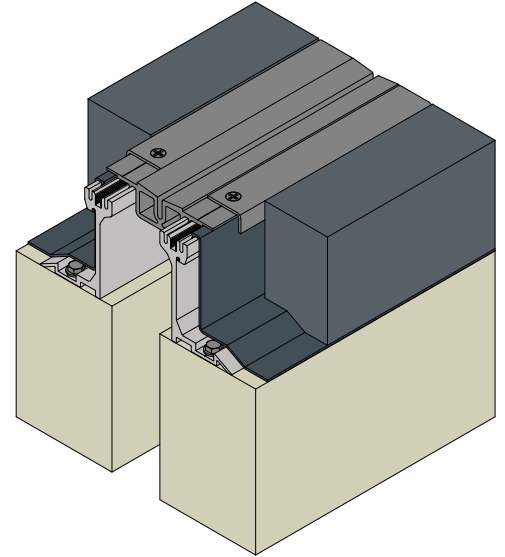
Profile heights from 51mm to 125mm

Product Description:

This cover is specifically designed for split-slab design plaza deck applications.

Key Features:

- ✓ For split-slab design plaza decks.
- ✓ Continuous santoprene membrane seal element.
- ✓ Continuous wings tie into sheet waterproof membrane.
- ✓ For Interior and exterior applications.
- ✓ 1" to 4" Seals available (25mm to 102mm).
- ✓ Various profile heights available.



Load Capacity:

1000kg point load

Stock Lengths:

- **Stainless steel sections:** 3m
- **Aluminium sections:** 3m
- **Gaskets:** Rolls up to [max] 20m
- **Side wing seals:** Rolls up to [max] 36m

Installation Guidelines:

Install frames with C/S supplied fasteners. Insert wing seal, then primary seal into frames and attach stainless steel cap. Tie wing seal into deck waterproofing.

For complete installation instructions, please visit www.msasa.co.za/cs-expansion-joints

Transitions:

The following pre-fabricated transitions are available on request to facilitate system installation:

- **90° corner**
- **T-junciton**
- **4-way junction**
- **Floor to vertical wall**

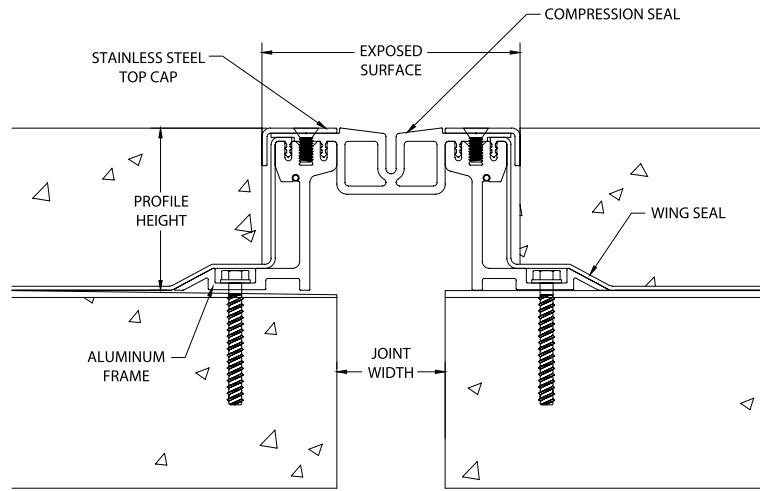
Transitions are delivered to site fully assembled. Please contact us for details.



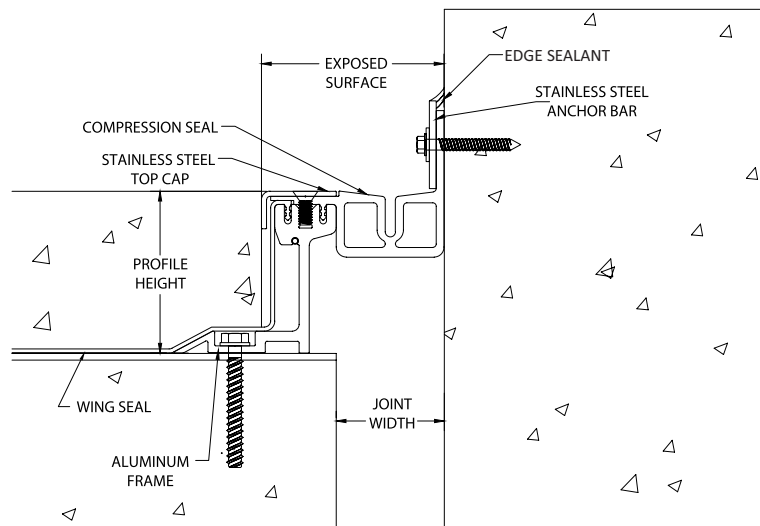
For technical and design assistance call +27 (0)87 231 0253
For Details, Specifications, Installation Instructions & Videos visit
www.msasa.co.za/cs-expansion-joints

MODEL	JOINT WIDTH	MINIMUM OPENING	MAXIMUM OPENING	EXPOSED SURFACE	PROFILE HEIGHT
PDS-100	1.00" (25mm)	0.00" (0mm)	2.25" (57mm)	4.75" (121mm)	50mm, 75mm, 100mm or 125mm
PDS-200	2.00" (51mm)	0.75" (19mm)	3.25" (83mm)	4.75" (121mm)	
PDS-300	3.00" (76mm)	1.75" (44mm)	4.25" (108mm)	4.75" (121mm)	
PDS-400	4.00" (102mm)	1.50" (38mm)	6.50" (165mm)	6.75" (171mm)	
PDSW-100	1.00" (25mm)	0.00" (0mm)	2.25" (57mm)	3.38" (86mm)	
PDSW-200	2.00" (51mm)	0.75" (19mm)	3.25" (83mm)	3.38" (86mm)	
PDSW-300	3.00" (76mm)	0.50" (13mm)	5.50" (140mm)	3.38" (86mm)	
PDSW-400	4.00" (102mm)	1.50" (38mm)	6.50" (165mm)	5.38" (137mm)	

*All systems available with optional certified fire barriers



PDS



PDSW

➔ FOR VERTICAL EXPANSION JOINT COVERS SEE DATA SHEET FOR HB SERIES



CAPE TOWN
 Tel: +27 (0)87 231 0253
 Unit 5 | M5 Freeway Park
 Upper Camp Rd | Maitland | 7405
 Cape Town | South Africa
 Email: info@msasa.co.za | www.msasa.co.za

JOHANNESBURG
 Tel: +27 (0)82 785 8529
 64 Maple Street | Pomona
 Kempton Park | Johannesburg | 1619
 South Africa



For technical and design assistance call +27 (0)87 231 0253
 For Details, Specifications, Installation Instructions & Videos visit
www.msasa.co.za/cs-expansion-joints