



Expansion Joint Covers

WATERPROOF TRAFFICABLE EXPANSION JOINT COVERS

for Car Park Decks, Ramps, Plaza Decks and Stadiums

For comprehensive information on this product visit www.msasa.co.za/cs-expansion-joints

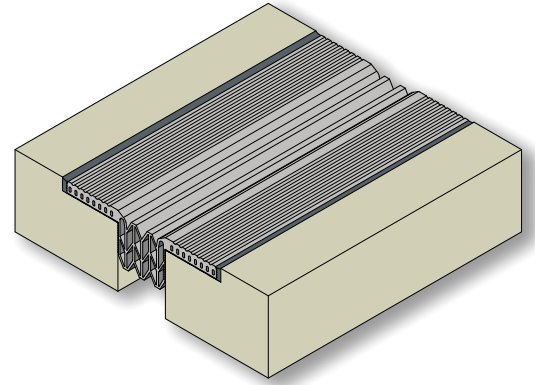
ZB SERIES

ZIP BLOCK Waterproof Trafficable Expansion Joint

Joint widths from 25mm to 102mm

Product Description:

The ZB expansion joint system is a heavy duty one-piece, extruded EPDM elastomeric seal with integral nosings, bonded into a high strength epoxy bedding, designed for parking decks, ramps, stadiums, and plaza decks. The ensuing system is then sealed on each side with a urethane sealant, resulting in an extremely durable and watertight joint system.



Key Features:

- ✓ One piece robust EPDM rubber expansion joint system with 50 year pedigree, for Car Park Decks, Ramps, Plaza Decks & Stadiums.
- ✓ Extremely durable in aggressive exposure conditions.
- ✓ Seamless joint with contiguous surface profile.
- ✓ Excellent traffic over-ride & movement.
- ✓ No need for additional steel cover plates & fasteners.
- ✓ No elastomeric concrete.
- ✓ No fixing bolts.
- ✓ New-builds & retrofit for refurbishment / repair installations.
- ✓ Withstands substantial wheeled impact.
- ✓ Subjected to rigorous testing including rolling loads of 1350kg's per wheel with simultaneous vertical slab deflection & freeze / thaw cycles.
- ✓ Specially trained Approved Applicator Teams to ensure peace of mind.

(For refurbishment installations where cutting out the 19mm blockout is not feasible refer to ZB-SM (Surface Mount) Series)

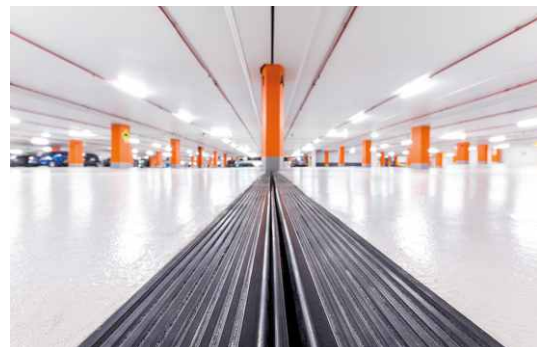
Epoxide Adhesive:

Schomburg ASODUR K4031 Epoxide Adhesive.

Installation Guidelines:

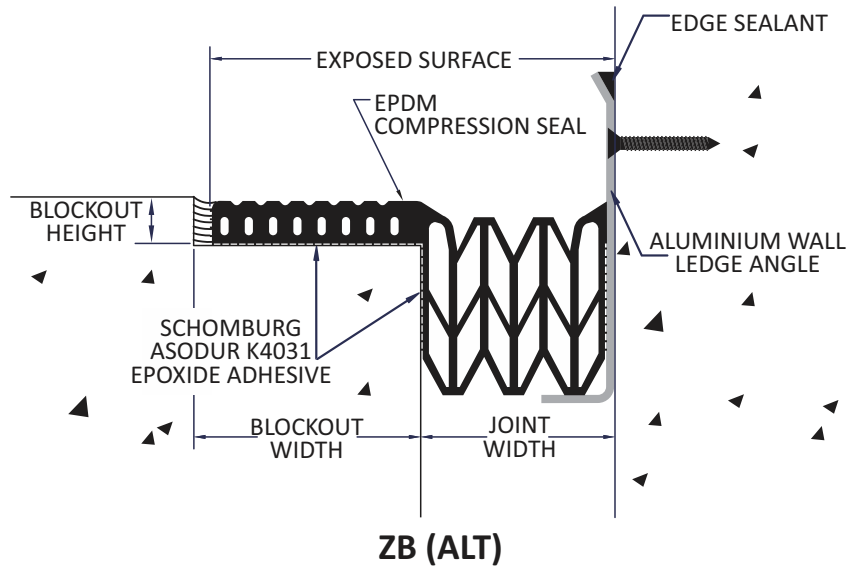
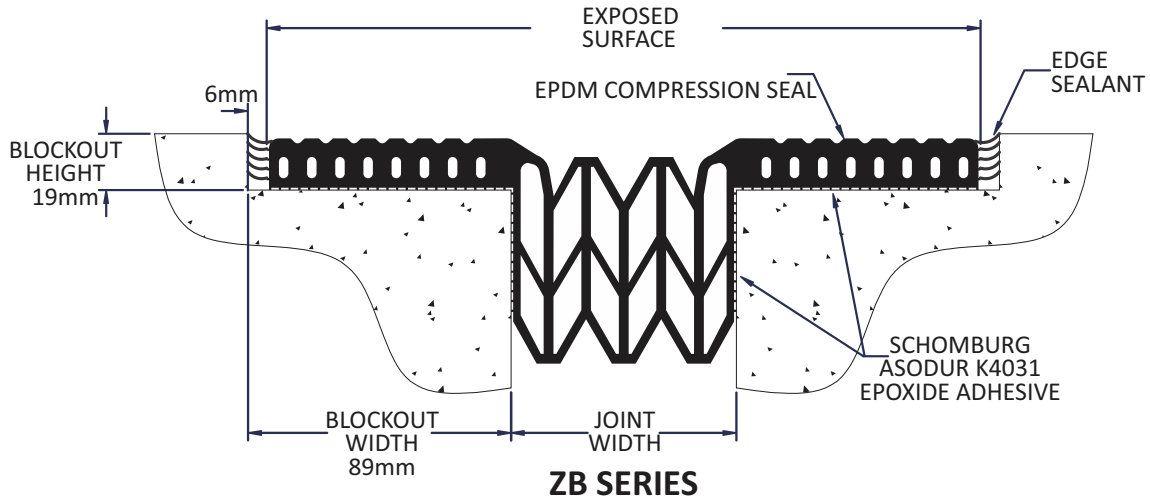
Blockouts must be solid, free of voids, dust, release agents or any other contaminants that would inhibit the bond of the epoxide adhesive. The blockouts must be flat, level and parallel. The base of the blockout must be flat (along the length of the joint) to within $\pm 3.18\text{mm}$ and level (across the joint) to within $\pm 3.18\text{mm}$. Any locations of edge raveling, spalling or other damage to the blockout surfaces must be repaired with a non-latex high strength grout that will provide a sound and square blockout. Mix epoxy and apply to base of the blockout. Push seal into joint opening and set wings into epoxy. Weigh down seal and let set for 8 hours minimum.

For complete installation instructions please visit www.msasa.co.za/cs-expansion-joints.



MODEL	JOINT WIDTH	MINIMUM OPENING	MAXIMUM OPENING	EXPOSED SURFACE	BLOCKOUT WIDTH	BLOCKOUT HEIGHT
ZB-100	1.00" (25mm)	0.50" (13mm)	1.50" (38mm)	7.50" (191mm)	3.50" (89mm)	0.75" (19mm)
ZB-200	2.00" (51mm)	1.00" (25mm)	3.00" (76mm)	8.50" (216mm)	3.50" (89mm)	0.75" (19mm)
ZB-300	3.00" (76mm)	1.50" (38mm)	4.50" (114mm)	8.50" (216mm)	3.50" (89mm)	0.75" (19mm)
ZB-400	4.00" (102mm)	2.00" (51mm)	6.00" (152mm)	10.50" (267mm)	3.50" (89mm)	0.75" (19mm)

*All systems available with optional certified fire barriers



➔ FOR VERTICAL EXPANSION JOINT COVERS SEE DATA SHEET FOR HB SERIES

➔ FOR RETROFIT INSTALLATIONS WHERE CREATING THE 19mm BLOCKOUT IS NOT FEASIBLE REFER TO THE DATA SHEET FOR ZB-SM SERIES (SURFACE MOUNT)

➔ METAL CAR PARK AND STADIUM JOINT COVERS AVAILABLE FOR JOINT WIDTHS UP TO 250mm

➔ FOR SPLIT-SLAB CONSTRUCTION REFER TO DATA SHEET FOR PDS SERIES



CAPE TOWN
 Tel: +27 (0)87 231 0253
 Unit 5 | M5 Freeway Park
 Upper Camp Rd | Maitland | 7405
 Cape Town | South Africa
 Email: info@msasa.co.za | www.msasa.co.za

JOHANNESBURG
 Tel: +27 (0)82 785 8529
 64 Maple Street | Pomona
 Kempton Park | Johannesburg | 1619
 South Africa



For technical and design assistance call +27 (0)87 231 0253
 For Details, Specifications, Installation Instructions & Videos visit
www.msasa.co.za/cs-expansion-joints