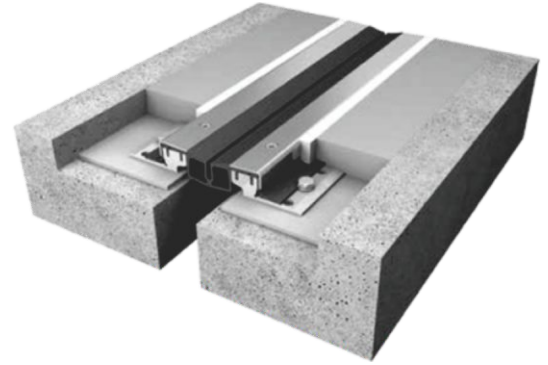


## PDS & PDSW SERIES

Watertight and durable trafficable floor joint covers - for split-slab design plaza decks.

- Recess mounted gasketed floor covers with heavy duty cappings
- Available in four standard frame depths to suit project needs
- Central gasket lengths welded at joints to achieve a watertight solution
- Continuous wing seals tie into waterproofing systems
- Suitable for interior or exterior areas
- Load capacity: 1000kg point load



FLOOR FINISH: Concrete | Paving

JOINT WIDTH UP TO 100MM

### FLOOR TO FLOOR COVERS

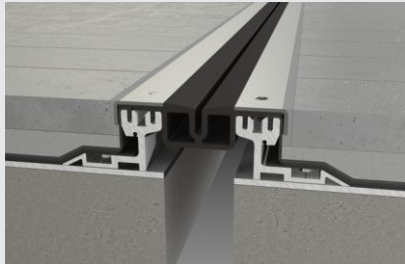
### FLOOR TO WALL COVERS

Model	Joint Width (mm)	Minimum Opening (mm)	Maximum Opening (mm)	Exposed Surface (mm)
PDS-100	25	0	57	120
PDS-200	50	19	83	120
PDS-300	76	44	108	120
PDS-400	102	38	165	171

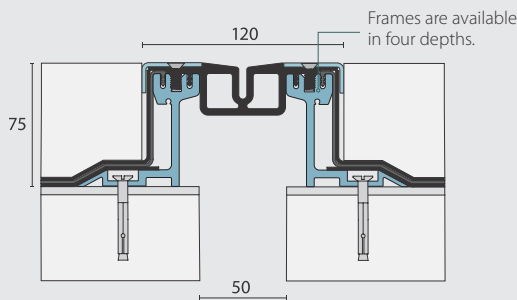
Model	Joint Width (mm)	Minimum Opening (mm)	Maximum Opening (mm)	Exposed Surface (mm)
PDSW-100	25	0	57	86
PDSW-200	51	19	83	86
PDSW-300	76	13	140	86
PDSW-400	102	38	165	137

\*PROFILE HEIGHTS : 50mm, 75mm, 100mm or 125mm

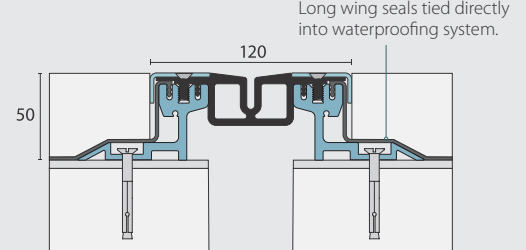
#### PDS Series



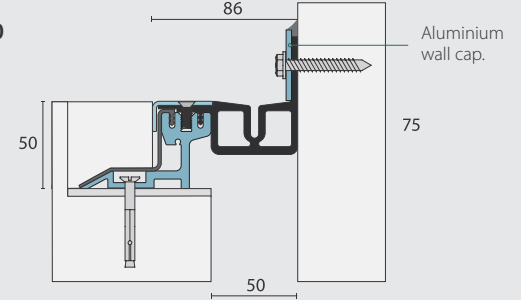
#### PDS-200/75



#### PDS-200/50



#### PDSW-200/50



### MATERIALS, COLOURS AND FINISHES

- **Stainless steel capping sections:** Dull polished stainless steel.
- **Aluminium frame sections:** Mill finish aluminium.
- **Gaskets:** Santoprene central gasket available in Black as standard.
- **Wing seals:** PVC Black as standard.

### STOCK LENGTHS

- **Stainless steel sections:** 3m
- **Aluminium sections:** 3m
- **Gaskets:** Rolls up to [max] 20m
- **Side wing seals:** Rolls up to [max] 36m

### ACCESSORIES

- **Fire Barriers:** All systems available with optional certified fire barriers

### FIXINGS

- **Floor:** Fixings (by others) to suit substrate at 450mm centres and to achieve minimum 40mm embedment.
- **Wall:** Fixings (by others) to suit substrate at 450mm centres.

### TRANSITIONS

The following pre-fabricated transitions are available on request to facilitate system installation:

- **90° corner**
- **T-Junction**
- **4-Way Junction**
- **Floor to vertical wall**

Transitions are delivered to site fully assembled. Please contact us for details.